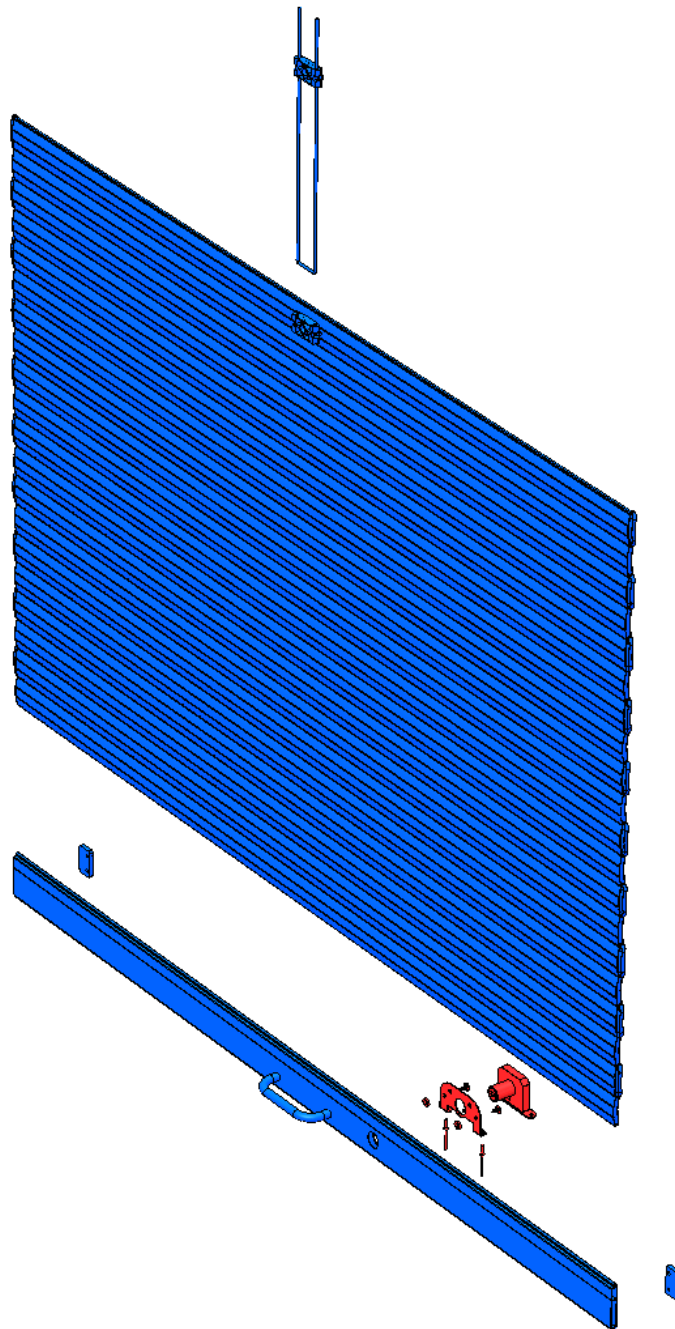




How To Retro Fit The
Foster Multideck Pro And Slimline RF Models
With The New Style Roller Shutter Assembly



New Roller Shutter Final Assembly Diagram



■	New assembly
■	Use of existing lock & new fitting bracket

The diagram does not show the correct number of shutter slats.

Lock and Fitting Kit Explained

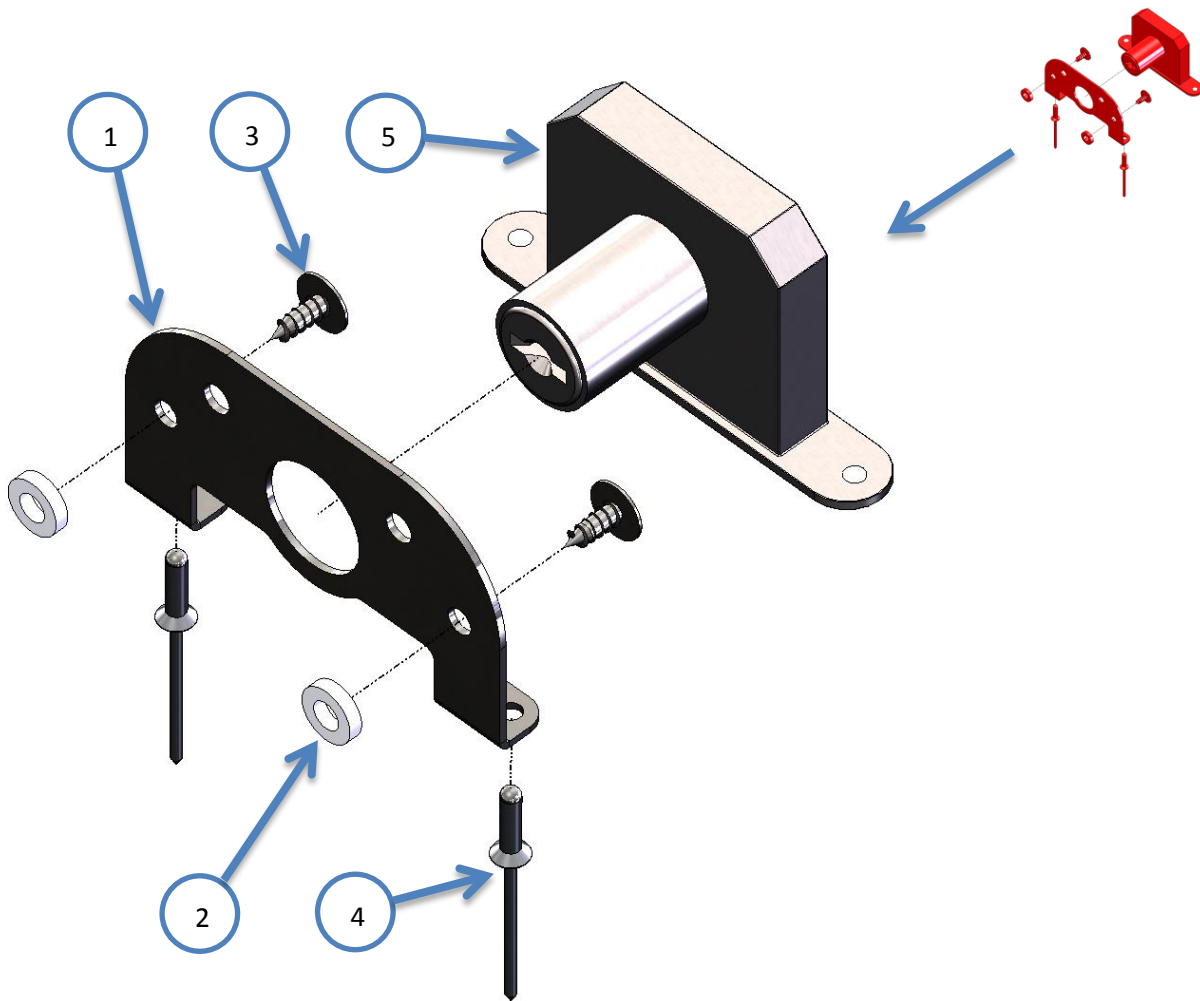
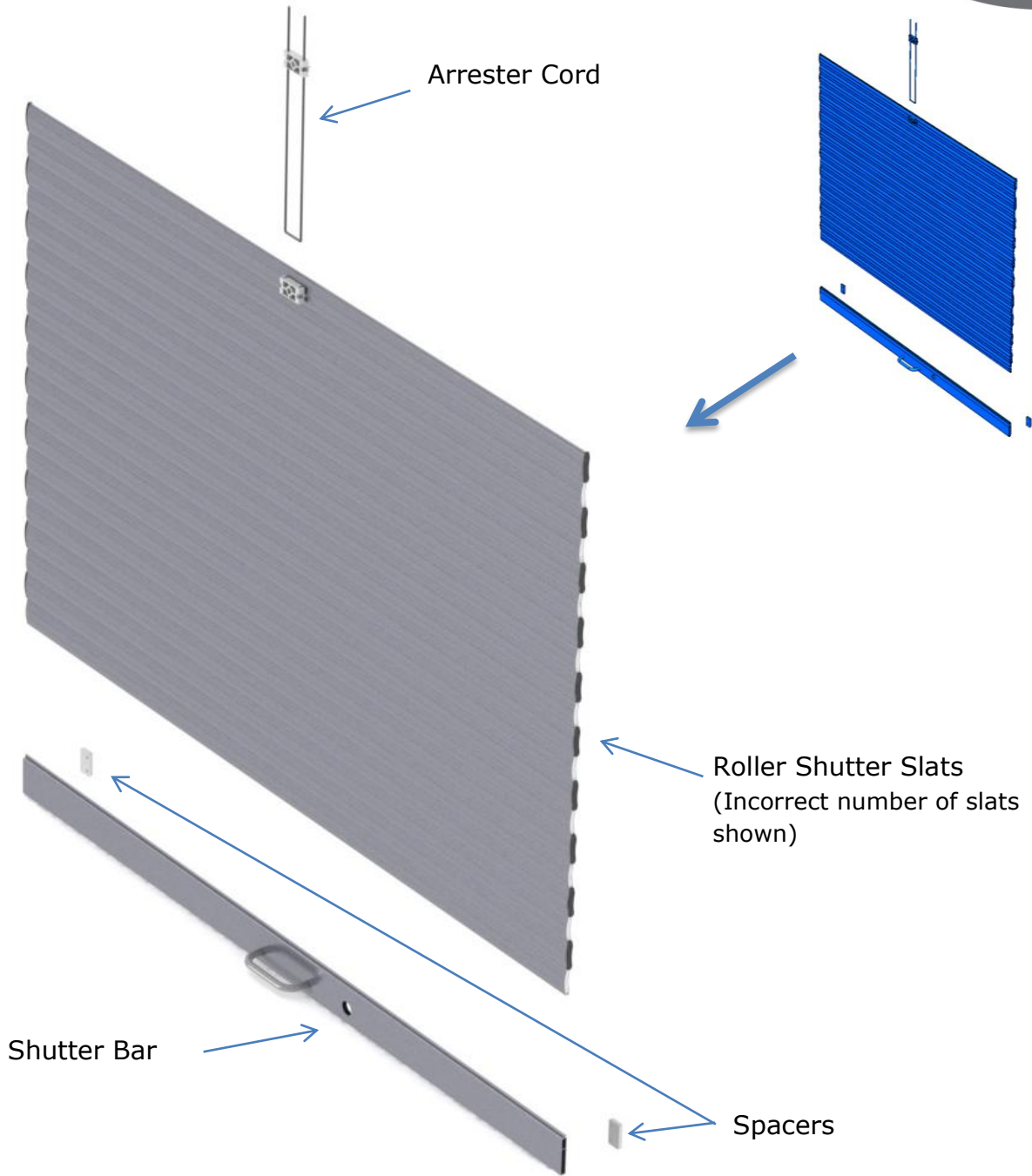


Diagram Part	Part	Description	Qty
1	01-274956-01	Lock Bracket for Retro fitting of New Style Shutter	1
2	15260176	Nylon Washer 9.5 OD 4.9 ID H 2.3	2
3	15530010	No.8 x 3/8 Pozi Flange S/S Screw	2
4	15560507	1/8" CSK ALU AVEX Rivet	2
Parts 1 to 4 are all included in kit 16230179			
5	16250703	Old Style Shutter Lock Barrel & Keys (Use original where possible)	1



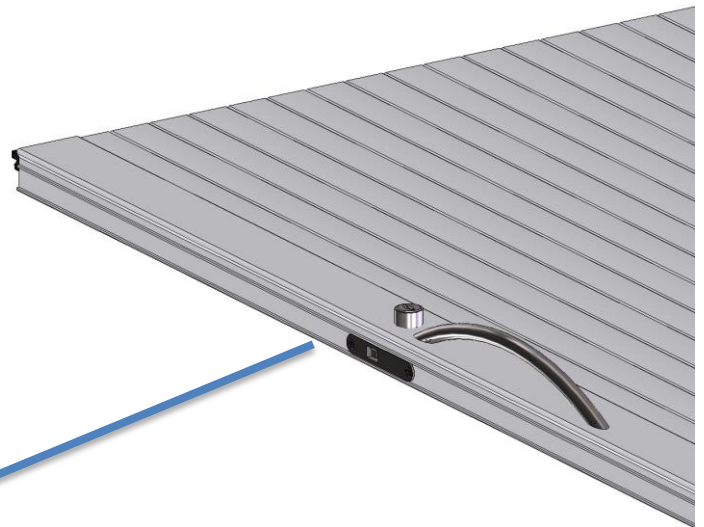
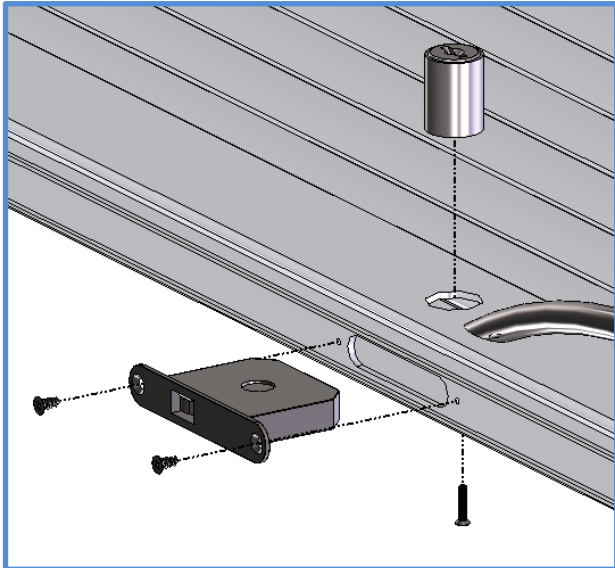
Roller Shutter Assembly Explained



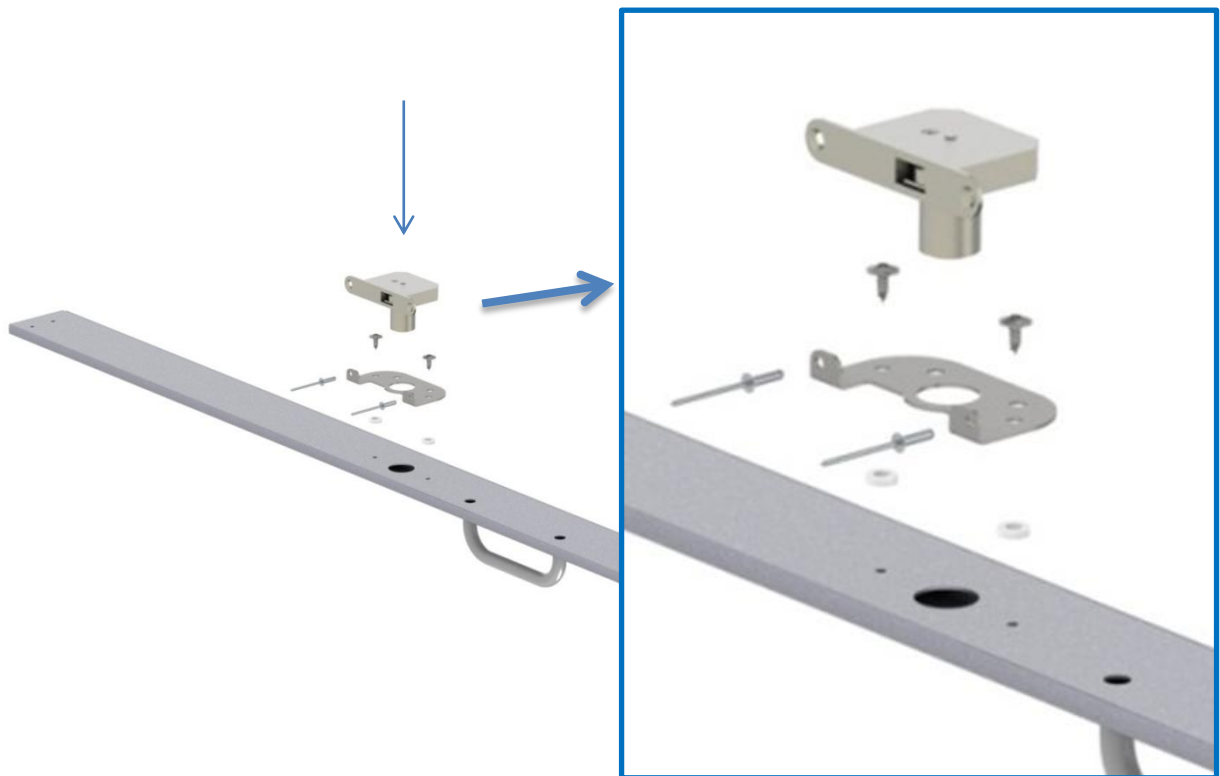
All the parts identified above are included in the shutter assembly.

Model	Shutter Assy Part No.	Description
FMSLIM/PRO 700RF	00-557000	Roller Shutter Assy Retrofit 700RF
FMSLIM/PRO 900RF	00-557001	Roller Shutter Assy Retrofit 900RF
FMSLIM/PRO 1200RF	00-557002	Roller Shutter Assy Retrofit 1200RF
FMSLIM/PRO 1500RF	00-557003	Roller Shutter Assy Retrofit 1500RF
FMSLIM/PRO 1800RF	00-557004	Roller Shutter Assy Retrofit 1800RF

Removing the Lock from the Old Style Shutter to the New Style.

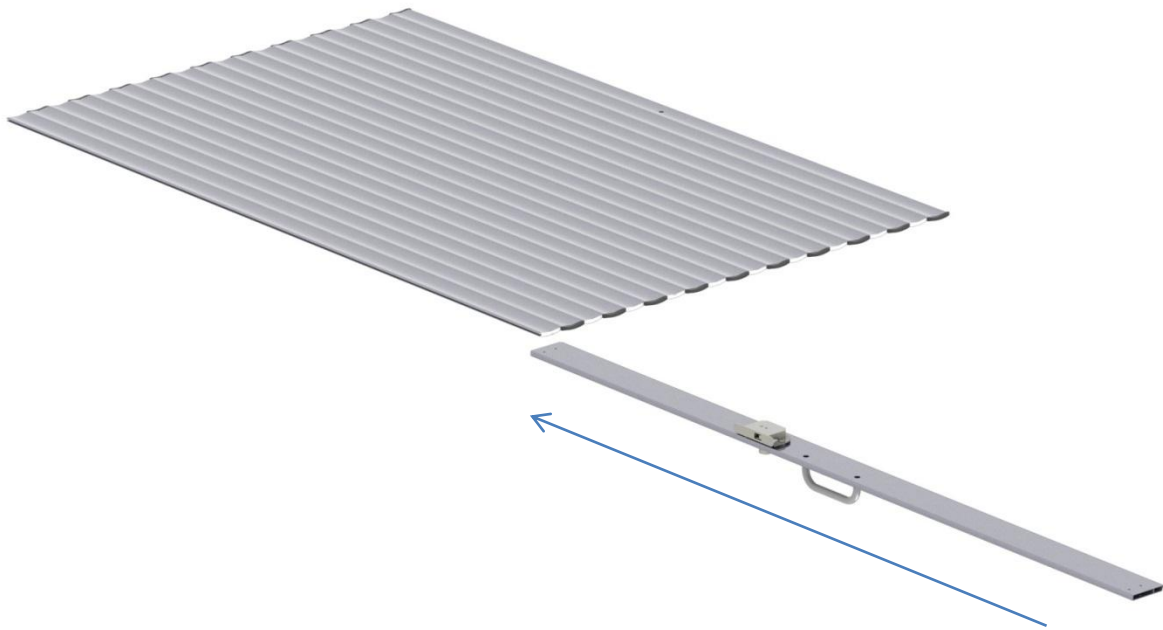


Fitting the Lock Assembly





Fitting the Shutter Bar Assembly to Slats



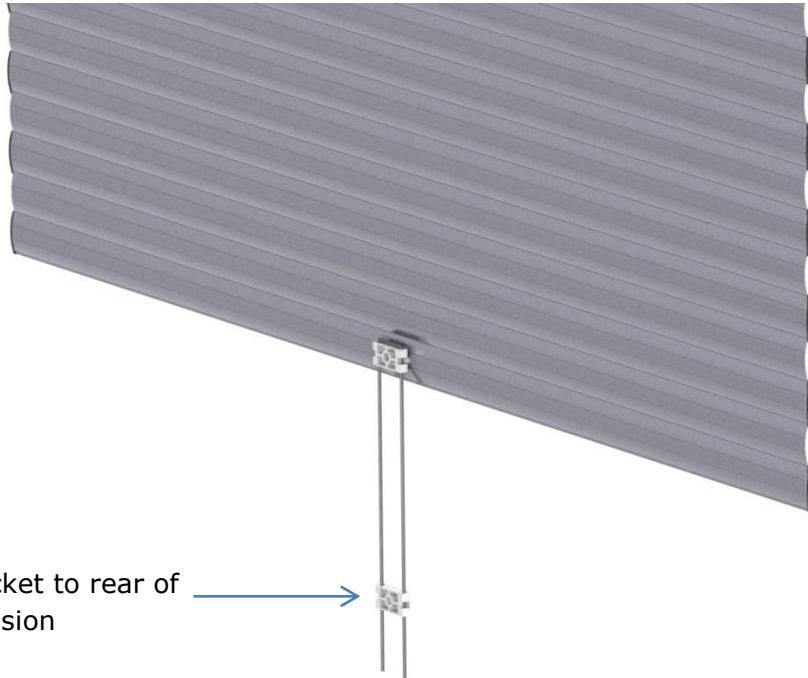
Fitting the Shutter to the Multideck

Remove both spacers before fitting the new shutter. The shutter bar will not go past the track corners with these fitted. Replace these parts when the shutter is fitted and situated in a half closed position.



Fitting the Arrester Cord

When the shutter has been fitted the arrester cord needs to be attached to the last slat and anchored to the rear of the Multideck.



Attach plastic bracket to rear of the Multideck. Tension accordingly.

Final Checks

Check that the shutter assembly rolls freely back and forth after fitting all parts.
Also check that the lock assembly moves freely when securing the shutter in the locked position.



Foster Refrigerator
Oldmedow Road
Kings Lynn
Norfolk
PE30 4JU

Tel: 0843 216 8833
Fax: 0843 216 4707
Website: www.fosterrefrigerator.co.uk
Email: support@foster-uk.com

a Division of 'ITW (UK) Ltd'

FMULTIDECK/TINS 05/12 GB

Original Foster Technical Instructions released May 2012