

## Counter Door adjustment

Counter doors can, during delivery or use, go out of alignment with the lock strike fouling the door keeper stopping the door from closing fully resulting in the gasket not sealing effectively causing a temperature rise within the cabinet.

To realign the doors the following procedure should be followed.

### Tools required.

4mm hexagonal wrench.

1. Visually check the extent of the misalignment with the doors closed by checking the space between the top of the door and the top of the cabinet (see fig1).
2. Open the door to expose the fixing screws of the hinges.
3. Using a 4mm hexagonal wrench release the tension on the screws, but do not remove, securing the bottom bracket (see fig 2) to the cabinet.
4. Slide the bracket in the direction required to make the correction in the door misalignment. Retighten the screws.
5. Check that the door closes with no fouling of the locking pin against the lock keeper and the door gasket is providing a complete seal. If not repeat step 4. For correct alignment see fig 3.
6. When satisfied with the door alignment open the door and check that the hinge bracket fixing screws are tightened fully.
7. Make a final check to ensure the door closes with no fouling of the locking pin against the lock keeper and the door gasket is sealing fully.

Fig 1

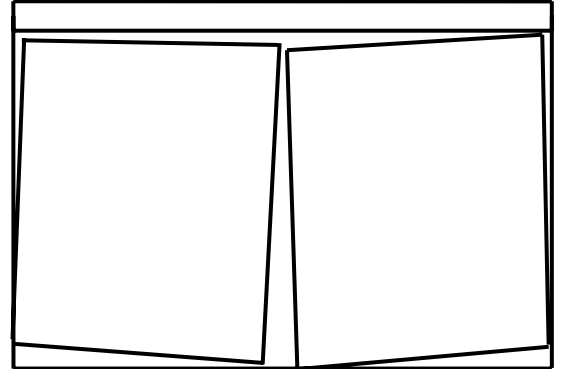


Fig 2

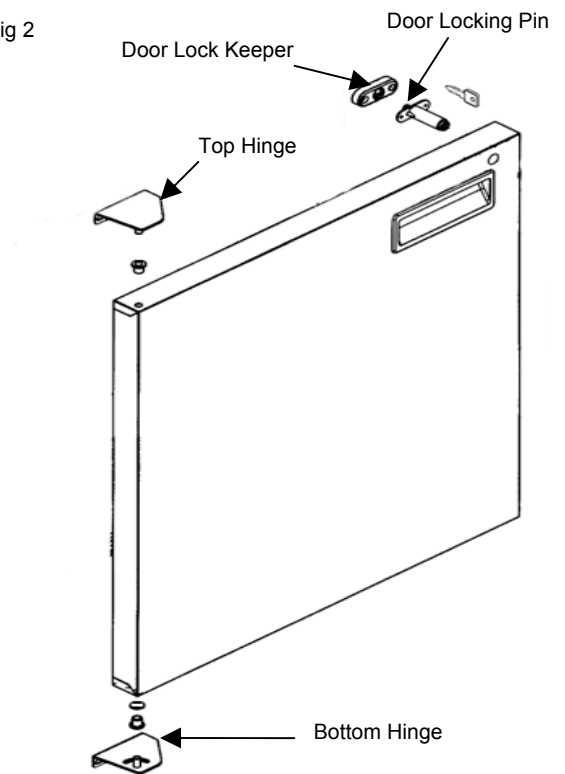


Fig 3

