

**ASSEMBLY INSTRUCTIONS OF CONVEYOR KITS 95001500/0 FOR  
2 N180 M AND 95001600/0 FOR 2 N250M TO BE FITTED WITH  
STORAGE BIN D310**

1. Fit the cover kit 95001200/0 on the storage bin D310 ( as indicated in drawing 1) and put the lower icemaker on the bin as you ca see on the instructions manual.
2. Remove the cover and the 4 bushes (N° 3) of the lower icemaker (drawing 2), then apply the support gaskets N° 4
3. Remove the front and the 2 lateral panels of the lower icemaker and fit the conveyor support N° 5 (drawing N°3)
4. Fit the conveyor kit ( N° 7 - drawing N° 4)
5. Apply the upper icemaker after having removed the front and the 2 lateral panels and fix it to the lower icemaker through 2 screws on the lateral edges.
6. Hook the shoot conveyor (N°10 - drawing 5) at the edge og the upper icemaker water pan and fix it to the vertical conveyor N° 7, previously fitted on the lower icemaker (as indicated on drawing 5)
7. Place back the panels previously removed

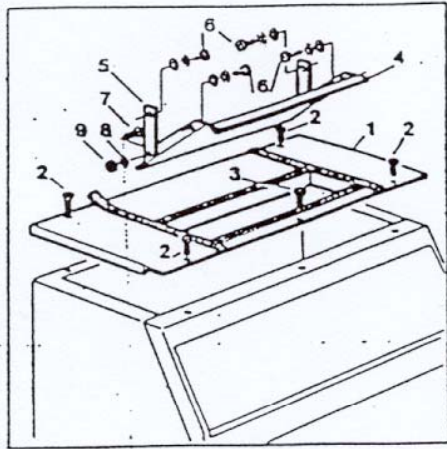
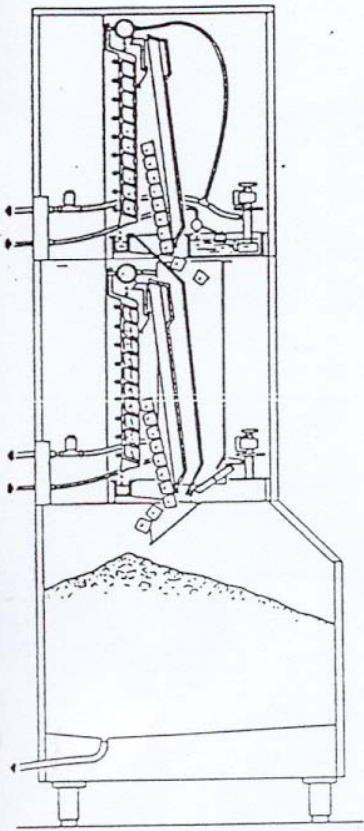


Fig. 1

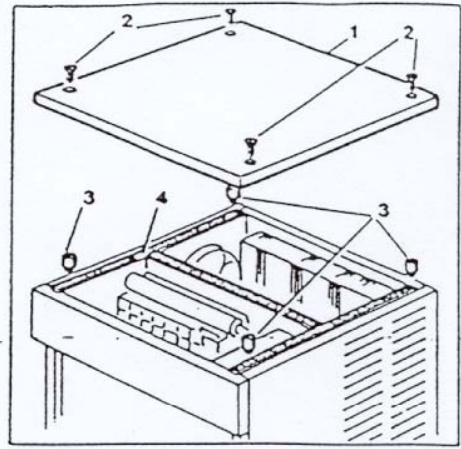


Fig 2

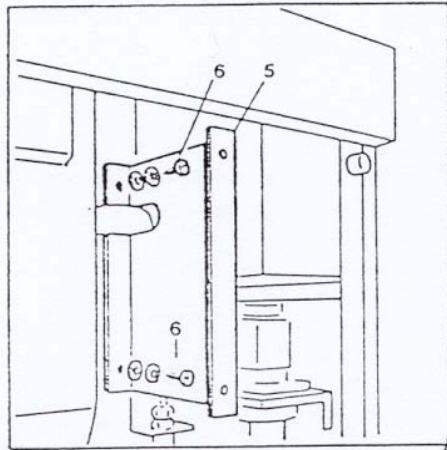


Fig. 3

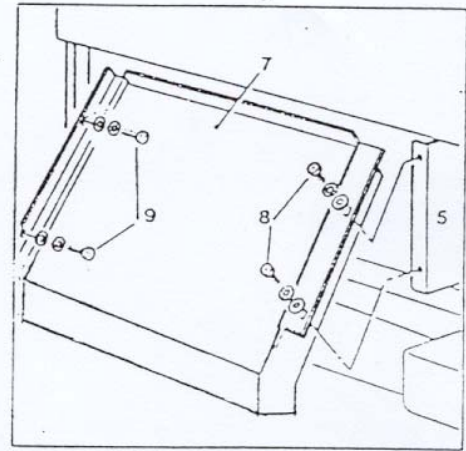


Fig 4

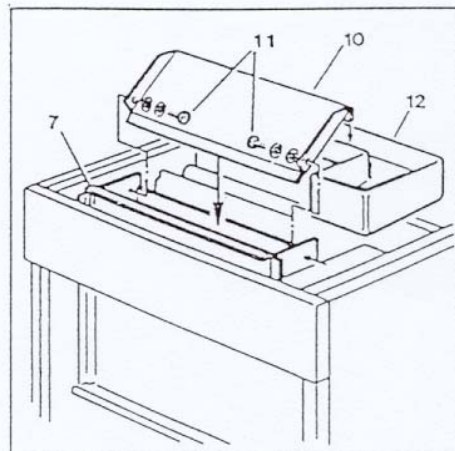


Fig 5